

Masport[®]
Heating

Mystique

Ultra Low Emission Burner



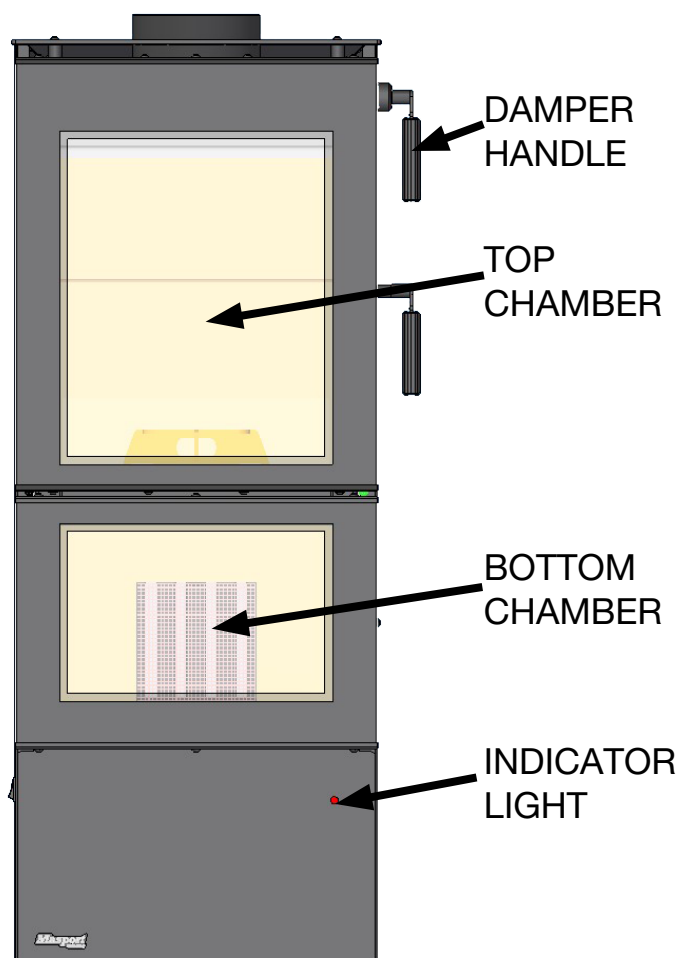
www.masportheating.co.nz

Discover the Mystique, Masport Heating's Ultra Low Emission Burner (ULEB) with only 0.30g/Kg emissions and 78% efficiency under stringent Canterbury real life testing (CM1 testing).

The Masport Mystique boasts 16.2kW (tested max output) of heat to help keep your home warm this winter. Do your part for the environment by using the cleanest burning wood fire in New Zealand.*

The Mystique has been approved by ECAN for installation in the designated clean air zones that were previously unable to install a wood fire.

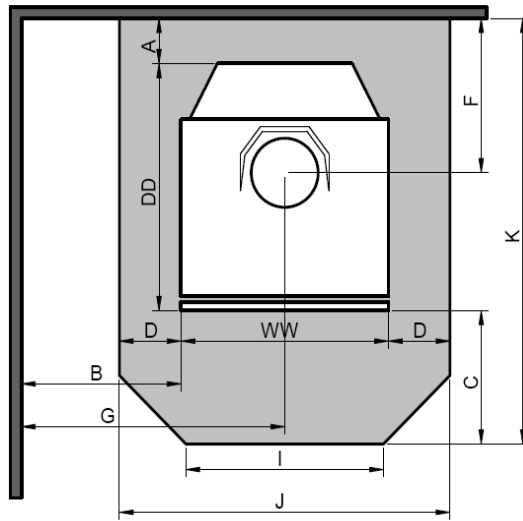
The Masport Mystique has two combustion chambers, compared to a conventional wood fire. Light your fire in the top chamber with kindling and a small amount of wood. Once the flue gas temperature is achieved, a green LED light will indicate that you are ready to close the flue damper. This directs the flue gases in a downward motion in to the bottom chamber where secondary combustion takes place creating maximum heat in conjunction with very low emissions.



* based on CM1 emission testing as at March 1st 2016.

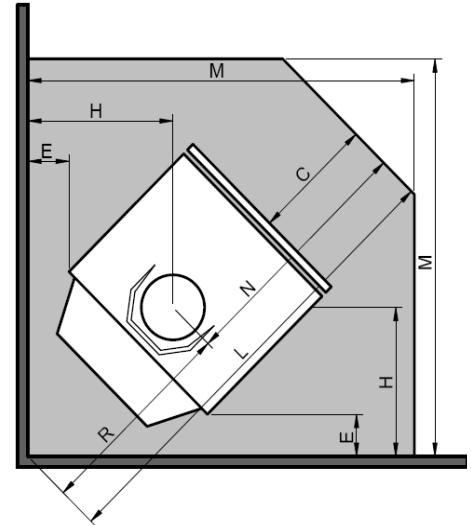
Clearance to Combustibles

Parallel Installation



A	Rear Panel to Rear Wall	100mm
B	Cooktop Edge to Side Wall	360mm
C	Glass to Floor Protector Front	300mm
D	Floor Protector Side	138mm
F	Flue Centre to Rear Wall	344mm
G	Flue Centre to Side Wall	595mm
I	Floor Protector Front Edge	446mm
J	Floor Protector Width	746mm
K	Floor Protector Depth	945mm

Corner Installation



C	Glass to Floor Protector Front	300mm
E	Cooktop Corner to Wall	100mm
H	Flue Centre to Wall	350mm
L	Floor Protector Diagonal	1095mm
M	Floor Protector Side	932mm
N	Flue Centre to Floor Protector Front	601mm
R	Flue Centre to Wall Corner	494mm
WW	Overall Width of Fire	470mm
DD	Overall Depth of Fire	545mm
HH	Overall Height of Fire	1170mm

Specifications

- Dimensions: 470 x 545 x 1170mm (WxDxH)
- Efficiency: CM1 - 78%, NES - 75.7%
- Emissions: CM1 - 0.30g/kg, NES - 0.17g/kg
- Peak output lab tested: 16.2kW
- Flue shield: 600mm Masport double flue shield
600mm Masport Stainless steel double skin flue shield
- Flue system: Standard 4.2m 150mm Masport flue system
- Floor protector: Ash Floor protector

Floor Protectors

Enhance your Mystique with a Masport steel hearth. Made of 4mm steel with a black powder coated surface.

Parallel Installation

Medium Hearth
950 x 1030 mm(WxD)



Corner Installation

Small Corner Hearth
1010 x 1010mm (WxD)



Installation

When installed in the correct manner as shown in the Masport Heating Installation Manual (supplied with the fire), your fire will provide a cleaner and more energy efficient warmth. Masport Heating recommends that all installation work be carried out by an installer who has completed the NZHHA certification programme. We recommend that your Masport Fire is installed with an approved Masport flue kit.

Guaranteed For 5 Years

As a sign of our commitment to quality, the Masport Mystique fire box is guaranteed for 5 years. We warranty our fire boxes free from defects in material or workmanship under normal use and service.*

*1 Year warranty on all internal fire parts.

Glen Dimplex New Zealand Ltd's policy is one of continuous development. We reserve the right to change size and specifications without notice. For confirmation of Masport Heating product details please refer to www.masportheating.co.nz. Please refer to the installation and operation instructions before having your Masport Wood Fire installed. A full set of these instructions is supplied with each fire.

Masport
Heating

Glen Dimplex New Zealand Ltd.
PO Box 58473, Botany, Auckland
www.masportheating.co.nz



Working in conjunction with ECAN and the NZHHA in the introduction of future efficient and clean burning Ultra Low Emission Burners