



Best Design Awards
Finalist 2017

Masport[®]

Heating



*Designer
Range*



Made in New Zealand
for New Zealand homes

www.masportheating.co.nz

Cromwell

Discover the Cromwell, Masport Heating's Ultra Low Emission Burner (ULEB) with only 0.47g/Kg emissions and 67% efficiency under stringent Canterbury real life testing (CM1 testing).

The Masport Cromwell boasts 13.3kW of heat to help keep your home warm this winter. Do your part for the environment by using a clean burning wood fire.

The Cromwell has been approved by ECAN for installation in the designated clean air zones that were previously unable to install a wood fire.

The Masport Cromwell has two combustion chambers, compared to a conventional wood fire. Light your fire in the top chamber with kindling and a small amount of wood. After 10-12 minutes once the flue gas temperature is achieved, you are ready to close the flue damper. This directs the flue gases in a downward motion in to the bottom chamber where secondary combustion takes place creating maximum heat in conjunction with very low emissions.

LAB PEAK OUTPUT: 13.3kW

EMISSIONS: CM1 - 0.47g/kg, NES - 0.20g/kg

EFFICIENCY: CM1 - 67%, NES - 72.4%

FLUE SHIELD: 600mm Masport double flue shield

FLUE SYSTEM: Standard 4.2m 150mm Masport flue system

FLOOR PROTECTOR: Ash Floor protector

DIMENSIONS (WxDxH): 468 x 547 x 1188mm



Akaroa



The Masport Akaroa breaks tradition from the humble wood fire. The sleek curved design of the Akaroa provides a design fitting of today's modern home and yet still adds a touch of elegance to a villa of yesteryear. The Akaroa will not only make a statement but will also keep your home warm this winter.

- NES, ECAN and ORC Airshed 1 clean air approved
- Efficiently heats area 160m²
- Superior heat from a 6mm steel fire box
- Built in easy clean ash pan
- **Wood stacker option available**

FINISH: Metallic Black VHT

LAB OBSERVED PEAK OUTPUT: 16.2kW

EMISSIONS: 0.69g/kg

EFFICIENCY: 66.8%

DIMENSIONS (WxDxH): 481 x 536 x 1025mm



**Best Design Awards
Finalist 2017**



We hold operational spare parts for 15 years from the last date of manufacture.



Easy clean
ash pan



Specifications

Minimum distance to heat sensitive materials (mm) when a flue heat deflector is fitted as per standard AS/NZS 2918:2001

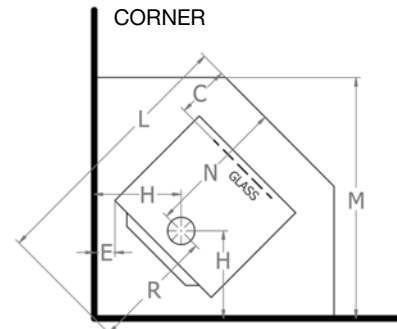
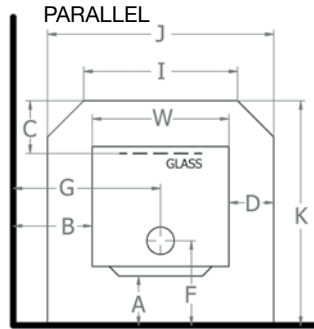
| MODEL | FLUE SHIELD | FLOOR PROTECTOR TYPE | A | B | C | D | E | F | G | H | I | J | K | L | M | N | R | W |
|----------------------------|-------------|----------------------|-----|-----|-----|-----|-----|-----|-----|-----|-----|-----|-----|------|------|-----|-----|-----|
| AKAROA/AKAROA WOOD STACKER | MDSS | AFP | 100 | 350 | 300 | 117 | 180 | 261 | 591 | 400 | 415 | 715 | 920 | 1236 | 1025 | 670 | 566 | 481 |
| CROMWELL | MDSS | AFP | 100 | 360 | 300 | 138 | 125 | 344 | 595 | 375 | 446 | 746 | 945 | 1131 | 957 | 601 | 530 | 470 |

FLUE SHIELDS:

MDSS Masport Double Skin Flue Shield 600mm long

FLOOR PROTECTOR:

AFP Ash Floor Protector



NB: It is important to note that this dimension page is a guide only. Please refer to the installation manual supplied with the fire for accurate manufacturer recommendations. All details are available on www.masportheating.co.nz

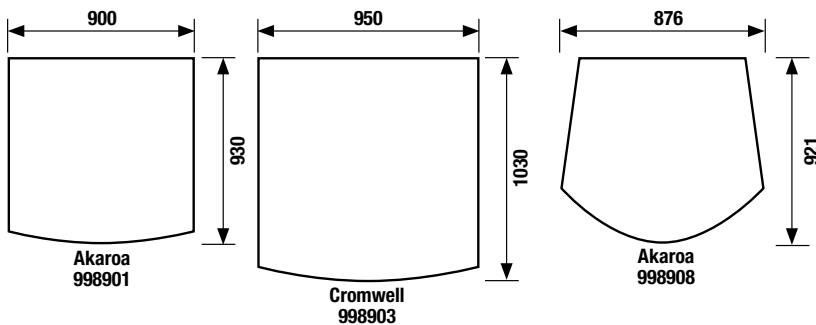
Note: Clearances are for fire hazard only. For durability of finishes or surfaces you should contact the relevant manufacturer for their specification. Glen Dimplex New Zealand Ltd accepts no responsibility for the deterioration of surfaces or finishes.

For full warranty details refer to your owner's manual. All heaters must be installed and serviced by an authorised installer. Due to ongoing enhancements, specifications may change without notice. Some pictures and settings are for illustration purpose only. Consult your dealer for fires available in your area.

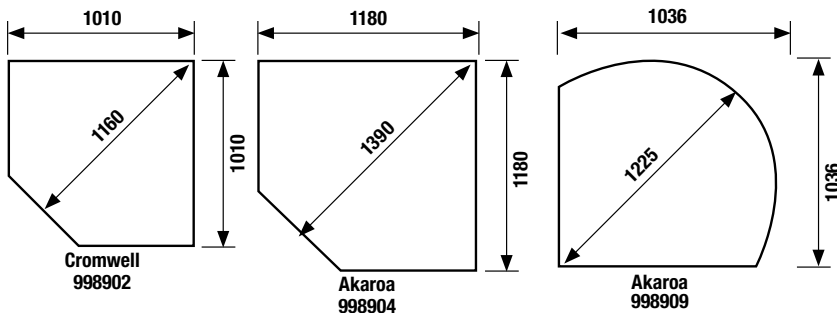
Hearths

Enhance your designer wood fire with a stylish floor protector available in a range of sizes to suit your needs in stunning black.

Parallel Hearths



Corner Hearths



Reorder part number: MASPDSIGNBAG (Qty 25 brochures per bag)



Made in New Zealand
for New Zealand homes



www.masportheating.co.nz