

Masport[®]
Heating

RURAL WOOD FIRES



Made in New Zealand for New Zealand homes
www.masportheating.co.nz

RURAL FIRES

Rural fires are capable of a comprehensive extended burn time,* making them an all in one multipurpose appliance that offers great value for money. Rural fires can only be installed on a section of 2 hectares or larger. Contact your council for clarification on local restrictions. Masport wood fires also have an extensive range of clean air wood fires. Refer to www.masportheating.co.nz for more information.

R3000 RURAL

A compact option for all of your rural needs.

- Efficiently heats areas 160m²
- 6mm radiant cook top and 6mm steel firebox for efficient burning
- Easy installation with ash only floor protector
- Available in Leg or Pedestal versions
- Pedestal version has built in easy clean ash pan
- **Optional water booster available for Rural application only (2.7 kW max)**



Ash Pan option

Easy clean ash pan

FINISH:	Metallic Black VHT
LAB TESTED PEAK OUTPUT:	16kW
FASCIA DIMENSIONS (WxH):	623 x 522 x 690mm

R5000 RURAL

Everything a rural fire ought to be; heating, cooking and water heating.

- Efficiently heats areas 190m²
- Superior heat from 6mm steel firebox and 8mm radiant cook top
- Masonry fire bricks and 6mm steel baffle for efficient burning
- Extended burn time
- Optional 2 speed fan
- Available in Pedestal with Easy clean ash pan only
- **Optional water booster available for Rural application only (2.7 kW max)**

FINISH:	Metallic Black VHT
LAB TESTED PEAK OUTPUT:	19kW
DIMENSIONS (WxH):	700 x 576 x 720mm



Made in New Zealand for New Zealand homes

MACKENZIE R10000

Our most powerful fire ever. Supreme output and efficiency, with minimal clearances. For the heating of large home and open spaces.

- Efficiently heats areas 260m²
- Superior heat from a 6mm steel firebox and 8mm steel radiant cook top
- Built in Easy Clean ash pan
- Extended burn time*
- **Optional water booster available for Rural application only (2.7 kW max)**

FINISH:	Metallic Black VHT
LAB TESTED PEAK OUTPUT:	26.4kW
FASCIA DIMENSIONS (WxH):	790 x 715 x 799mm



*Extended Burn time: It is possible to achieve an extended burn time, when using a mixture of pine and hardwood. Burn period may vary due to factors such as moisture, density of fuel, environmental factors and how the unit is operated.

SPECIFICATIONS

Minimum distance to heat sensitive materials (mm) when a flue heat deflector is fitted as per standard AS/NZS 2918:2001

MODEL	FLUE SHIELD	FLOOR PROTECTOR TYPE	A	B	C	D	E	F	G	H	I	J	K	L	M	N	R	W
R3000 L/Ash	MDSM	AFP	100	230	300	100	100	290	542	446	523	823	883	1224	1050	593	631	623
R5000 PED	MDS	AFP	128	200	300	100	85	324	550	441	600	900	968	1268	1109	644	624	700
Mackenzie R10000	RDS	AFP	150	400	300	87	160	350	795	550	664	964	1070	1498	1294	720	778	790

FLUE SHIELDS:

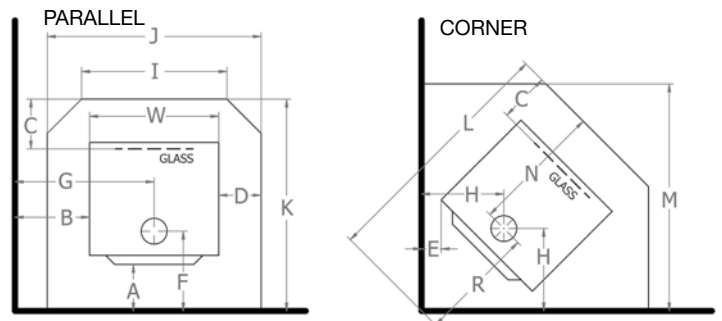
MDS Masport Double Skin Flue Shield 1200mm long

MDSM Masport Double Skin Flue Shield 900mm long

RDS Mackenzie R10000 Double Skin Flue shield 900mm long with special heat diverter and ceiling plate.

FLOOR PROTECTOR:

AFP Ash Floor Protector



MODEL	R3000 L/Ash**	R5000**	Mackenzie
Peak output (kW)	16	19*	26.4

* Lab tested peak heat output. Heat output and burn time will vary depending on fuel size, type and moisture content.

** These models have a cooktop ability. Please ensure cookware is used and food is not put directly on the wood fire surface. Over time cooking on your wood fire may alter the appearance, this is not covered under warranty.

Water heating booster tubes can be fitted to Masport wood fires but the local emission regulations in some areas may preclude their use on some models.

GREAT REASONS TO CHOOSE MASPORT

1. All Masport Heating fires are made by New Zealand's largest wood fire manufacturer.
2. Firebox warranty up to 10 years.
3. Fully brick-lined firebox for efficient heating.
4. Huge range of low emission clean air models.
5. Comprehensive range of radiant and rural fires to suit a multitude of house designs.



Masport holds operational spares parts for up to 15 years from the last date of manufacture. This gives you peace of mind and knowledge that you can service your wood fire over its lifetime. This is the advantage of buying New Zealand made.

Installation

When installed in the correct manner as shown in the Masport Heating Installation Manual (supplied with the fire), your fire will provide a cleaner and more energy efficient warmth. Masport Heating recommends that all installation work be carried out by an installer who has completed the NZHHA certification programme. We recommend that your Masport Fire is installed with an approved Masport flue kit.

Guaranteed For 10 Years

As a sign of our commitment to quality, all new Masport fire boxes are guaranteed for 10 years. We warranty our fire boxes to be free from defects in material or workmanship under normal use and service. The Warranty (on the cast iron or steel firebox excluding attachments) is for 10 years from the date of purchase.*

*1 Year warranty on all internal fire parts. 5 Year warranty on all multi-fuel fire boxes.

See your local wood fire dealer for inbuilt and clean air options.

Masport[®]
Heating

Glen Dimplex New Zealand Ltd
PO Box 58473, Botany, Auckland
www.masportheating.co.nz

Glen Dimplex New Zealand Ltd's policy is one of continuous development. We reserve the right to change size and specifications without notice. For confirmation of Masport Heating product details please refer to www.masportheating.co.nz. Please refer to the installation and operation instructions before having your Masport Wood Fire installed. A full set of these instructions is supplied with each fire.