



## **STEEL FLOOR PROTECTORS OR HEARTHS**

MASPORT STEEL Floor Protectors are designed for free standing fires where minimum floor protection is required as per AS/NZS 2918:2001, in order to protect the floor from heat and any embers that may fall during fuelling operation. Masport offers 3 sizes of floor protectors for both parallel and corner installation in 3 sizes: Small, Medium, and Large. Also, there are specific floor protectors for parallel and corner installation of Akaroa model. These floor protectors are made of 4mm thick steel with a black powder coat finish. The table on page 4 gives the size of hearths that can be used for each model.

### **IMPORTANT**

**Masport Steel floor protectors are powder coated and susceptible to scratching. Please take care when installing and in use.  
Use 'Felt Pads' provided to avoid scratches.**

Steel flooring protectors are flat and heavy. Single person lifting could cause injury, hence Masport recommends the use of suitable handling equipment or two persons while handling.

While moving or positioning the floor protector on a flat surface please ensure fingers are not underneath the hearth.

### **INSTALLATION**

#### **Important**

- **The location of wood fire and the floor protector/hearth must comply with local council and building regulations.**
- **The steel floor protector along with wood fire should be installed in accordance with the minimum clearances to combustibles indicated in Masport specification sheet that comes with the wood fire pack.**
- **Some councils in New Zealand require the wood fire and the floor protector to be secured to prevent shifting in the event of an earthquake. Installer will have to drill suitable holes, at an appropriated location on the floor protector.**

## **Guidelines for installation**

Prepare the flat surface where the floor protector will be positioned. Masport steel protectors can be used directly on wooden or carpet floors.

- Overall sizes of all the Masport floor protectors are slightly bigger than the minimum required. This gives some flexibility in positioning of the fire on to the floor protector.
- Use 'Felt Pads' provided with the hearth or alternatively use thick rags, a protective blanket or suitable protective material to avoid scratches on the powder coated surface whilst moving the wood fire into correct position and marking the seismic restraint holes. See instructions below to use Felt Pads.
- Refer to the table on page 4 to position the wood fire and locating seismic restraint holes on the floor and the protector. Please note that the distances given in this table are for guidance only, assuming the floor protector is flush with the rear or side combustible walls. Ensure the Masport St/St Double Flue Heat Shield is used where required as per specification sheet.
- Before drilling the seismic restraint holes, make sure that the rear clearance, side clearance and front clearance from glass is maintained as per Masport specification sheet.

## **Guidelines to use "Felt Pads"**

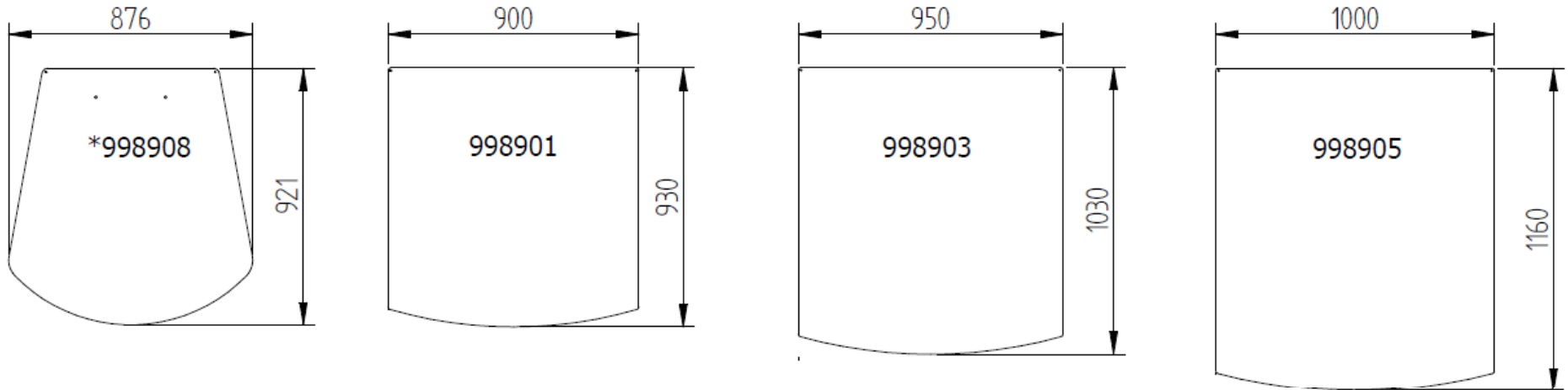
- Place the steel hearth in the desired location.
- Bring the fire near the steel hearth
- Tilt the fire slightly on the side edge, taking care not to damage the seismic restraint tab at the rear or the curved/decorative edge. Stick pads on bottom surface of the pedestal.
- Once two sides and front areas are covered with 6 pads, fire is ready to slide on to the steel hearth
- Initially, take care while bringing the entire fire onto hearth i.e. do not tilt too much to avoid the edge scratching the hearth surface.
- Once fire is fully onto the hearth surface, it can be moved easily without damaging the powder coated surface.
- Slide and align the fire into position - mark seismic holes – slide it away to drill the holes – slide it back in place – install seismic bolts.
- The pads can be left permanently underneath the fire as there is hardly any heat transfer to the bottom surface of the pedestal.

## **Operations**

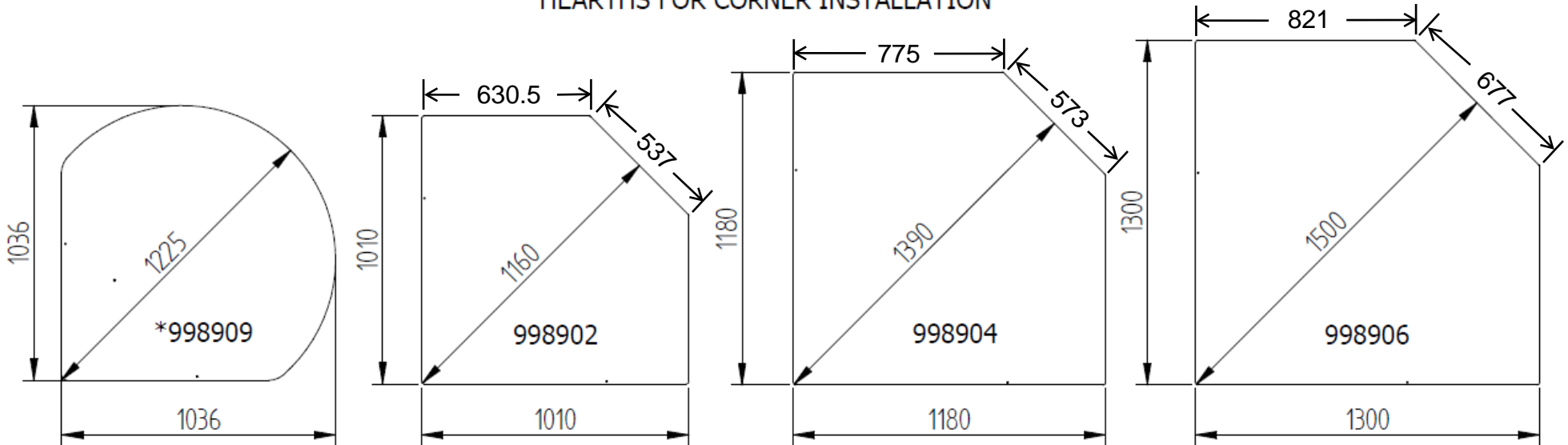
- The powder coated surface is susceptible to scratches. The Masport warranty does not cover surface finish once the steel floor protector is unpacked and installed.
- Masport offers spray paint cans for touch up if required to remedy small scratches. Please note that this spray paint is not an exact match of the powder coat finish. It is adequate for small touch up jobs only.
- For larger damaged areas, the alternative is to spray an entire floor protector with touch-up paint to ensure a colour match finish.

# MASPORT STEEL FLOOR PROTECTORS

## HEARTHES FOR PARALLEL INSTALLATION

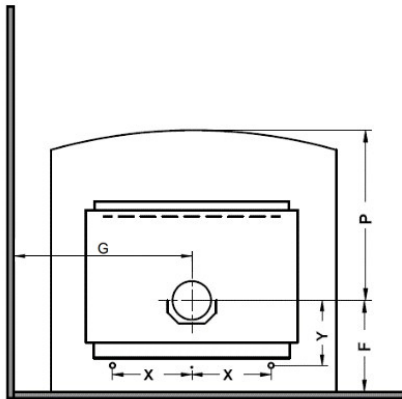


## HEARTHES FOR CORNER INSTALLATION

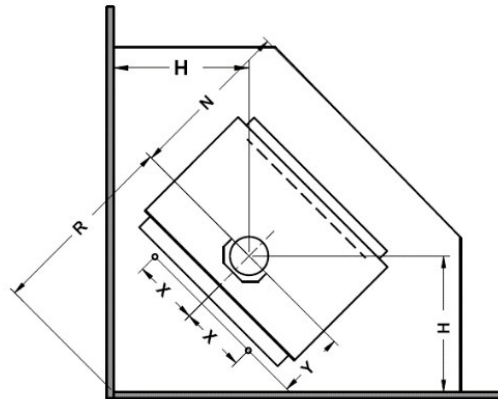


\* Suitable for Akaroa Model Only

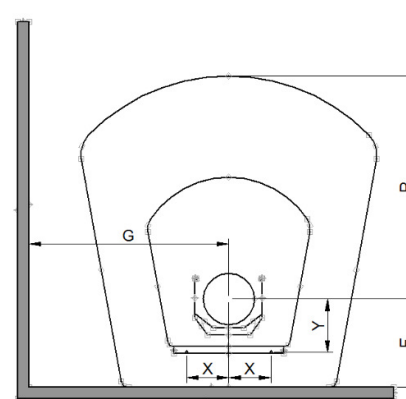
Part ID Number	Parallel Installation				Ensure that minimum distances given below are maintained			Corner Installation				Distances with respect to Flue Centre				
	998901	998903	998905	998908				998902	998904	998906	998909					
	Size - Width x Depth in mm	900X930	950X1030	1000X1160	877X921	1010X1010	1180X1180	1300X1300	1036X1036	Ensure that minimum distances given below are maintained						
	Size - Diagonal in mm	- N.A. -	- N.A. -	- N.A. -	- N.A. -	1160	1390	1500	1225							
Material Thickness	4mm	4mm	4mm	4mm	4mm	4mm	4mm	4mm								
	Suitable	Suitable	Suitable	Suitable	F ≥	G ≥	P ≥	Suitable	Suitable	Suitable	Suitable	R ≥	H ≥	N ≥	X	Y
R1500 PED	✓				285	590	575	✓				541	382	550	170	140
R1500 LEG	✓				285	590	575	✓				541	382	550	266.5	154
R1500 Rural	✓				285	590	575	✓				541	382	550	170	140
R1500 WS	✓				285	590	575	✓				604	427	550	279	157
R1600	✓				285	590	575	✓				541	382	550	170	140
HESTIA 2	✓				213	660	632	✓				518	366	607	220	127
F3000		✓			293	581	592		✓			551	390	567	223	116
F3300C		✓			318	631	599		✓			622	440	574	223	116
R5000 PED		✓			324	550	669		✓			624	441	644	206	85
R5000 LEG		✓			324	550	669		✓			624	441	644	301.5	138
R5000 Rural		✓			324	550	669		✓			624	441	644	206	85
R5000 WS		✓			366	640	664		✓			695	491	644	325	142
KRONOS MF		✓			377	680	653		✓			726	514	636	240	140
HEARTLAND / WANAKA		✓			305	635	664		✓			656	464	639	197.5	128
OSBURN 1600 DRY/MKII WET		✓			301	678	727		✓			683	483	702	190	95
ATLANTA BAY			✓		294	570	793		✓			525	371	768	220	85
MYSTIQUE		✓			344	595	626	✓				494	350	601	185/70	137/142
MACKENZIE R10000			✓		350	795	745			✓		778	550	720	217	81
AKAROA	✓			✓	261	591	659		✓		✓	566	400	659	125	157



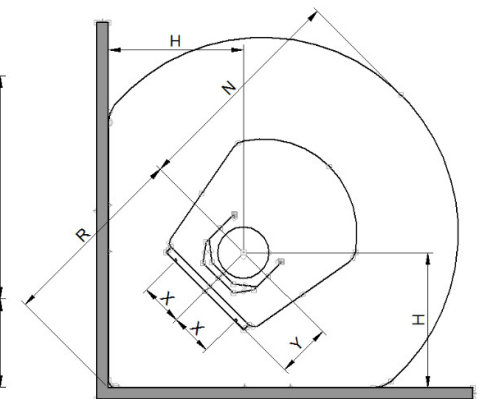
PARALLEL INSTALLATION



CORNER INSTALLATION



AKAROA PARALLEL INSTALLATION



AKAROA CORNER INSTALLATION