

Masport[®] Heating

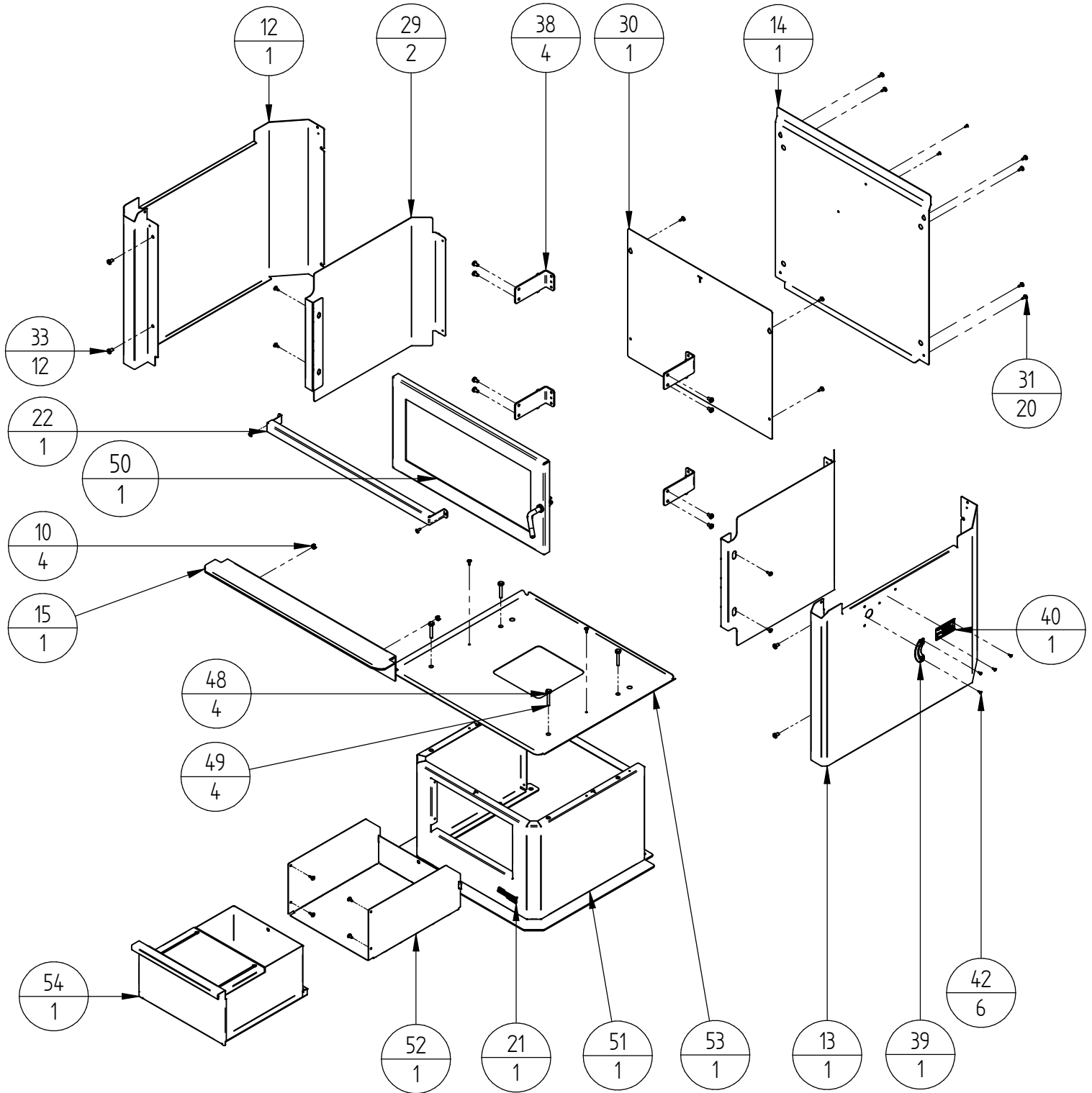
FREESTANDING ULEB WOOD FIRES

RAKAIA - NEW ZEALAND

| Item No. | MARKET | FUEL TYPE | FINISHING | YEAR | CATALYST |
|----------|--------|-----------|--------------------------|----------|----------|
| 999901 | NZ | SOFTWOOD | METALLIC BLACK VHT PAINT | NOV-2019 | YES |



DOOR, PANELS, PEDESTAL, ASH DRAWER

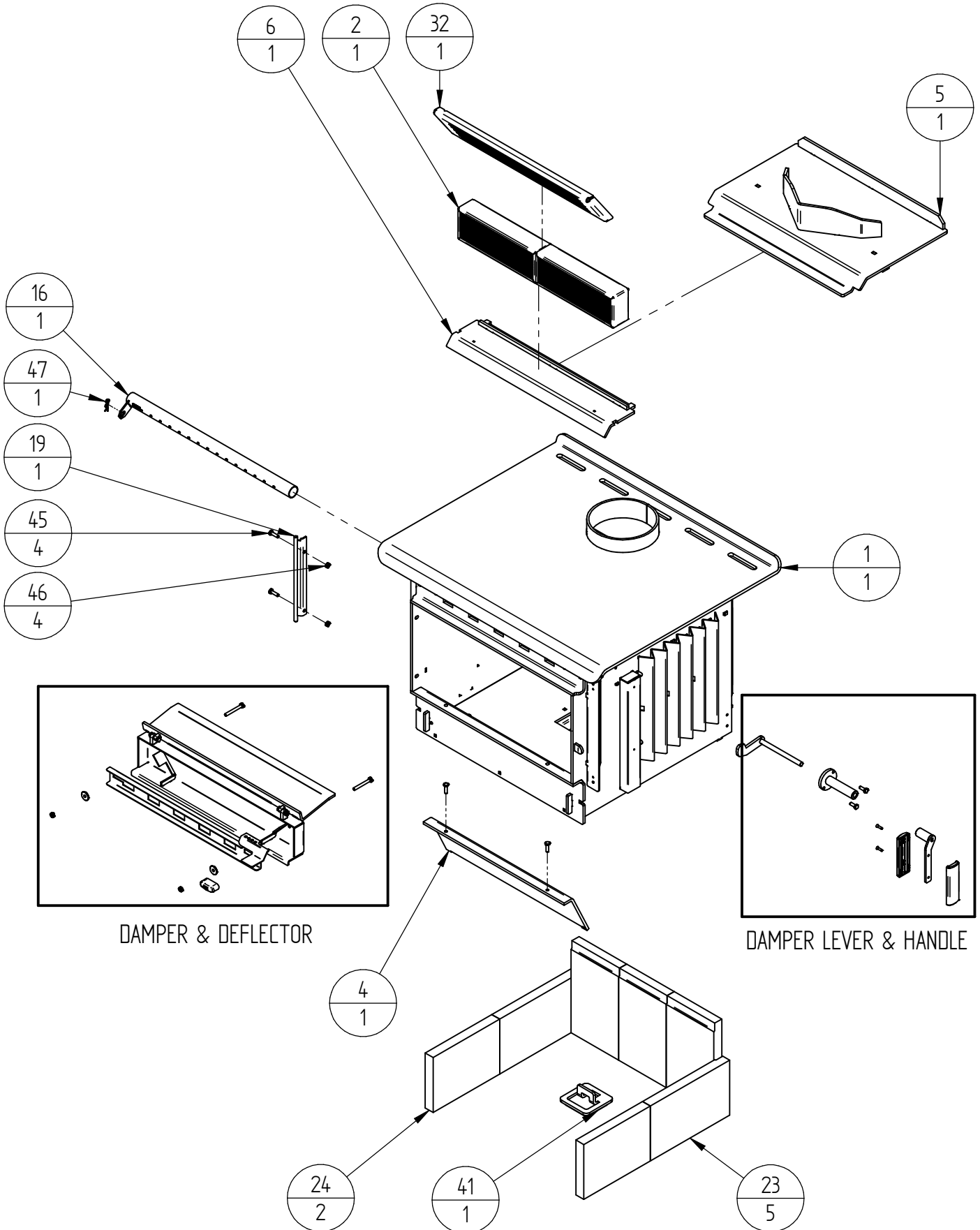


When ordering PLEASE QUOTE PART ID, MODEL Number & DESCRIPTIONS, NOT ITEM Number
determining left hand side from viewing position

| Item Number | File Name (no extension) | Finish | Title | Quantity |
|-------------|--------------------------|--------|---|----------|
| 10 | 522117 | - | NUT; HEX STD M6 ZP | 4 |
| 12 | 999053 | V02 | LH SIDE PANEL | 1 |
| 13 | 999054 | V02 | RH SIDE PANEL | 1 |
| 14 | 999055 | V02 | RAKAIA REAR PANEL | 1 |
| 15 | 999062 | V02 | RAKAIA ASH SHELF PEM STUDS INSERTED | 1 |
| 21 | 587835 | - | BADGE MASPORT HEATING | 1 |
| 22 | 999073 | V02 | RAKAIA AIRSLIDE LOUVER | 1 |
| 29 | 999075 | - | RAKAIA H/S PANEL SIDES | 2 |
| 30 | 999076 | - | RAKAIA REAR H/S PANEL | 1 |
| 31 | 521645 | - | SCREW; S/T 8GX1/2" MUSH FLANGE POZI BLK | 20 |
| 33 | 521045 | - | SCREW; M6X10 PAN POZI BLK | 12 |
| 38 | 999039 | - | RAKAIA REAR PANEL SUP BRKT | 4 |
| 39 | 598647 | - | DD OPEN/CLOSE BADGE | 1 |
| 40 | 599099 | - | RAKAIA DAMPER INSTRUCTION LABEL | 1 |
| 42 | 524038 | - | RIVET; 73 STST 4-3 (S/S) | 6 |
| 48 | 523031 | - | WASHER; FLAT M6 ZP | 4 |
| 49 | 521060 | - | SCREW; M6X35 HEX ZP | 4 |
| 50 | 999007 | - | RAKAIA COMPLETE DOOR | 1 |
| 51 | 999094 | V02 | RAKAIA PEDESTAL SUB ASSEMBLY ASSY | 1 |
| 52 | 992295 | V02 | R3000 PED ASH DRAWER SUP | 1 |
| 53 | 999091 | V02 | RAKAIA BASE HEATSHIELD | 1 |
| 54 | 983248 | V02 | R5000 ASH DRAWER ASSY | 1 |

*Optional Spare Kit

FIREBOX, BAFFLE, CATALYST, AIRTUBE, BRICKS

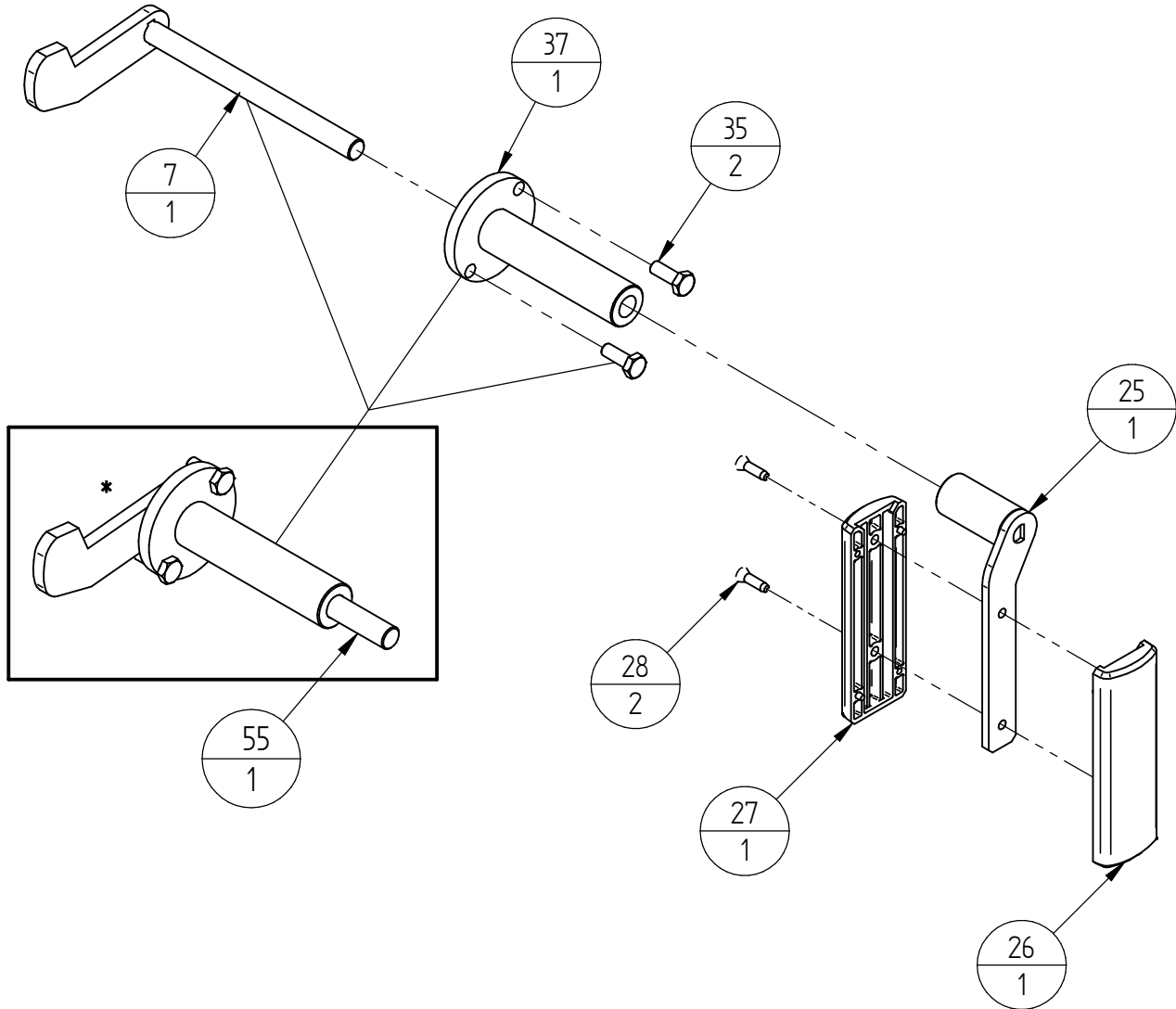


When ordering PLEASE QUOTE PART ID, MODEL Number & DESCRIPTIONS, NOT ITEM Number
determining left hand side from viewing position

| Item Number | File Name | Finish | Title | Quantity |
|-------------|-----------|--------|-------------------------------------|----------|
| 1 | 999100 | - | RAKAIA FIREBOX ASH SUB ASSY | 1 |
| 2 | 999041 | - | CATALYTIC CONVERTER WELDED SUB ASSY | 1 |
| 4 | 983240 | - | R5000 F/BOX LOWER PLATE | 1 |
| 5 | * 999013 | V02 | BAFFLE MAIN SUB ASSY | 1 |
| 6 | * 999012 | V02 | BAFFLE FRONT SUB ASSY | 1 |
| 16 | 999098 | - | RAKAIA AIR TUBE ASSEMBLY | 1 |
| 19 | MICAC190 | - | MIC DOOR HINGE ASSEMBLY | 1 |
| 23 | MIC00354 | - | MIC BRICK | 5 |
| 24 | 599063 | - | RAKAIA FRONT BRICK | 2 |
| 32 | 999040 | - | RAKAIA FLAME DEFUSER | 1 |
| 41 | 983019 | - | PLUG SHEET METAL | 1 |
| 45 | 521054 | - | SCREW; M6X20 HEX ZP | 4 |
| 46 | 522107 | - | NUT; HEX STD M6 BLK | 4 |
| 47 | 526101 | - | CLIP; R-CLIP 1.8 DIA ST | 1 |

*Optional Spare Kit

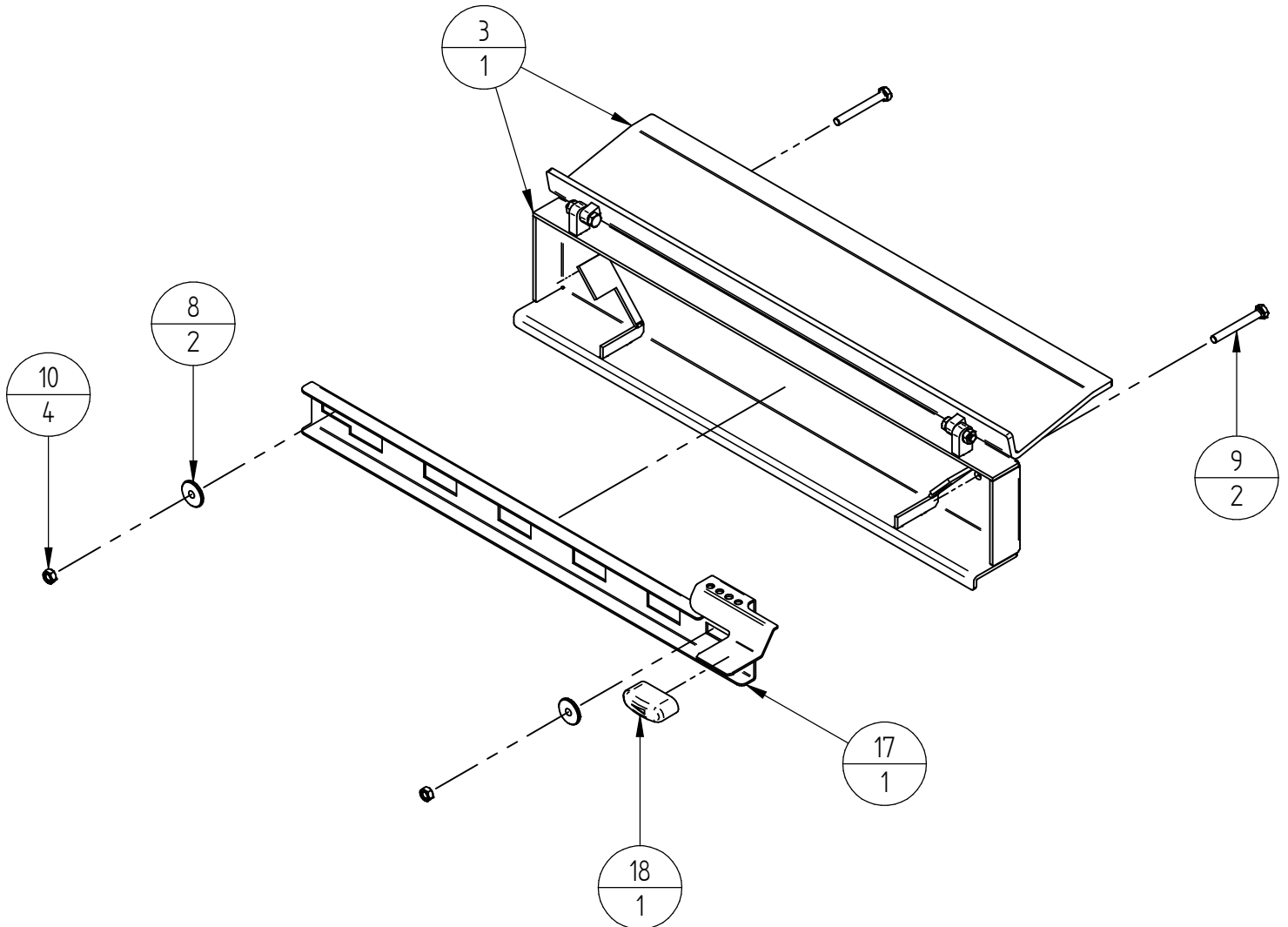
DAMPER LEVER & HANDLE



*Optional Spare Kit

| Item Number | File Name | Finish | Title | Quantity |
|-------------|-----------|--------|-------------------------------------|----------|
| 25 | 999089 | - | RAKAIA HANDLE WELDED SUB ASSY | 1 |
| 26 | 593598 | - | I3000 DOOR HANDLE FRONT RH PLASTIC | 1 |
| 27 | 593599 | - | DOOR HANDLE REAR L/H PLASTIC | 1 |
| 28 | 521650 | - | SCREW; 8GX5/8" S/S TYPE 25 C/S POZI | 2 |
| 35 | 521076 | - | SCREW; M6X16 HEX ZP | 2 |
| 37 | 999019 | V02 | DAMPER BUSH ASSEMBLY | 1 |
| 55 | * 799005 | V02 | RAKAIA DAMPER LEVER, BUSH, SCREWS | 1 |
| 7 | 999005 | V02 | RAKAIA WELDED DAMPER LEVER ASSY | 1 |

DAMPER, DEFLECTOR, AIRSLIDE

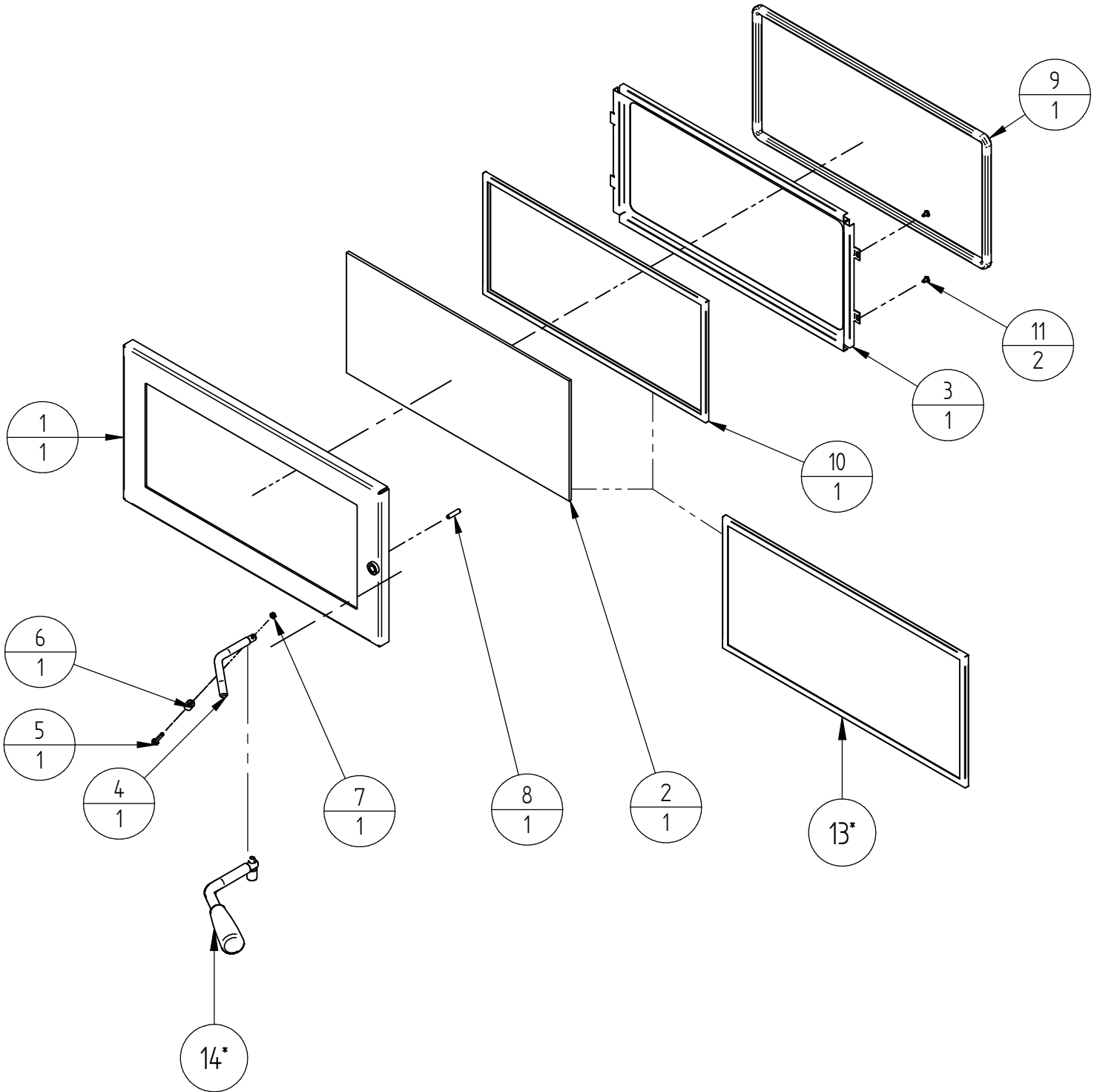


*Optional Spare Kit

| Item Number | File Name | Finish | Title | Quantity |
|-------------|-----------|--------|----------------------------------|----------|
| 10 | 522117 | - | NUT; HEX STD M6 ZP | 4 |
| 17 | 999065 | V02 | RAKAIA AIRSLIDE NZ | 1 |
| 18 | 593568 | - | AIR SLIDE KNOB PUSH ON | 1 |
| 3 | * 999003 | V02 | RAKAIA DEFLECTOR DAMPER SUB ASSY | 1 |
| 8 | MIC00083 | - | LOGAIRE METRO AIR SLIDE SPACER | 2 |
| 9 | 521061 | - | SCREW; M6X50 HEX ZP | 2 |

When ordering PLEASE QUOTE PART ID, MODEL Number & DESCRIPTIONS, NOT ITEM Number
determining left hand side from viewing position

DOOR ASSEMBLY



When ordering PLEASE QUOTE PART ID, MODEL Number & DESCRIPTIONS, NOT ITEM Number
determining left hand side from viewing position

| DOOR ASSEMBLY – 999007 | | | | |
|------------------------|---------------|--------|---|----------|
| Item Number | File Name | | | Quantity |
| | | Finish | Title | |
| 1 | 999006 | V02 | RAKAIA WELDED DOOR SUB | 1 |
| 10 | C25MMLT_I3000 | - | LADDER TAPE 25x3x50m ROLL (MTR) | 1 |
| 11 | 521627 | - | SCREW; S/T 8GX3/8" MUSH FLANGE POZI BLK | 2 |
| 13 | * PFS95204 | - | PFS GLASS/TAPE SPARE KIT | |
| 14 | * PYREDH | - | PYR DOOR HANDLE KIT | 1 |
| 2 | PFS00204 | - | PFS GLASS | 1 |
| 3 | PFS00034 | - | PFS REAL SIZE GLASS RETAINER | 1 |
| 4 | KRR00373 | - | KRR DOOR LEVER | 1 |
| 5 | 521805 | - | SCREW; CAP M5X25 ALLEN BLK | 1 |
| 6 | PYR00461 | - | PYR HANDLE ROLLER | 1 |
| 7 | 522901 | - | NUT; BINX M5 ZP | 1 |
| 8 | 521704 | - | SCREW; GRUB M6X25 ALLEN BLK | 1 |
| 9 | C14MMDR_R5000 | - | DOOR ROPE 16MM X 50m ROLL (MTR) | 1 |

*Optional Spare Kit

| NOT ILLUSTRATED | | | | | | |
|-----------------|---------|---|---|---|---------------------------------|-----|
| Item | Part ID | | | | Descriptions | Qty |
| | | | | | | |
| 3 | 599086 | - | - | - | RAKAIA DATA SHEET | 1 |
| 5 | 951515 | - | - | - | CEILING PLATE 150MM 345X345 S/S | 1 |

| SURFACE FINISH CODES FOR PANELS | | | | | |
|---------------------------------|----------|----------------|-------------|--------------|--|
| VHT PAINT(Very High Temp) | | | POWDER COAT | | |
| V02 | P-000022 | METALLIC BLACK | P02 | MATT BLACK | |
| | | | P08 | MANNEX BLACK | |

When ordering PLEASE QUOTE PART ID, MODEL Number & DESCRIPTIONS, NOT ITEM Number
determining left hand side from viewing position