

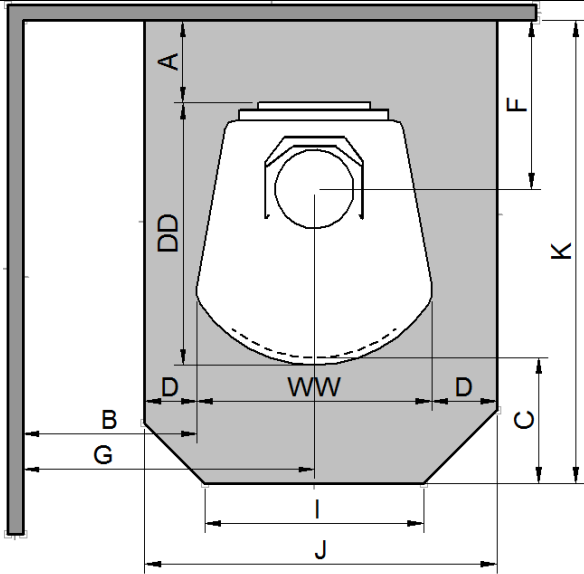
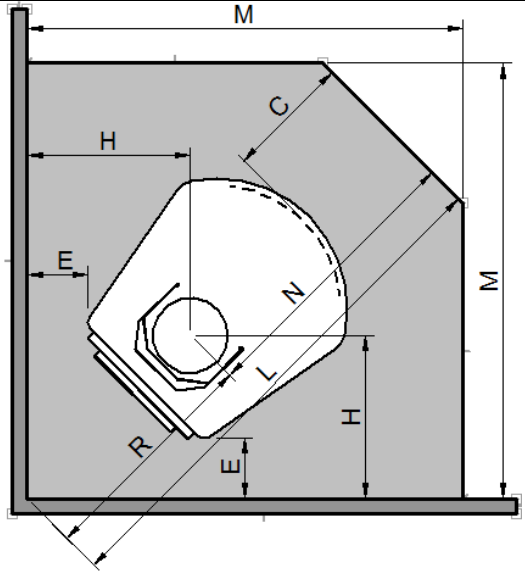
Masport Akaroa & Akaroa Wood Stacker - Technical Specifications

(These instructions must be used in conjunction with the "General Installation Instructions" for Masport Fires)

Akaroa burner models have been tested and comply to the following standards & tests:
NZ National Environmental Test Standards - AS/NZS 4012:2014 and AS/NZS 4013:2014.
NZ National Environmental Safety Test Standard - AS/NZS 2918:2001

Overall Dimensions	481mm Wide x 552 mm Deep x 1025mm High		
Weight	120 kg		
Test Method	Emissions mg/MJ	Emissions g/kg	Efficiency %
National Environment Standard AS/NZS 4012/13:2014	52 mg/MJ	0.69 g/kg	66.8%
ECan Authorization Number :	Akaroa - CRC174234	Akaroa Wood Stacker - CRC181946	
Approx. Heating Capacity	Medium to Large Homes		
Flue Shield	600mm Long SS Masport Double Flue Shield		
Flue System	Std 4.2M Long, 150mm Masport Flue System or Flue Systems that has been tested to and comply with AS/NZS 2918:2001 Appendix F ** For installation in Canterbury & South of Canterbury, we recommend extending 200 outer casing within 250~300 from termination of flue. Also, recommend not to use Masport Opti or equivalent flue kits in this area, which takes ceiling or external air for cooling of the flue casings.		
Floor Protector Requirement	Ash Floor Protector		

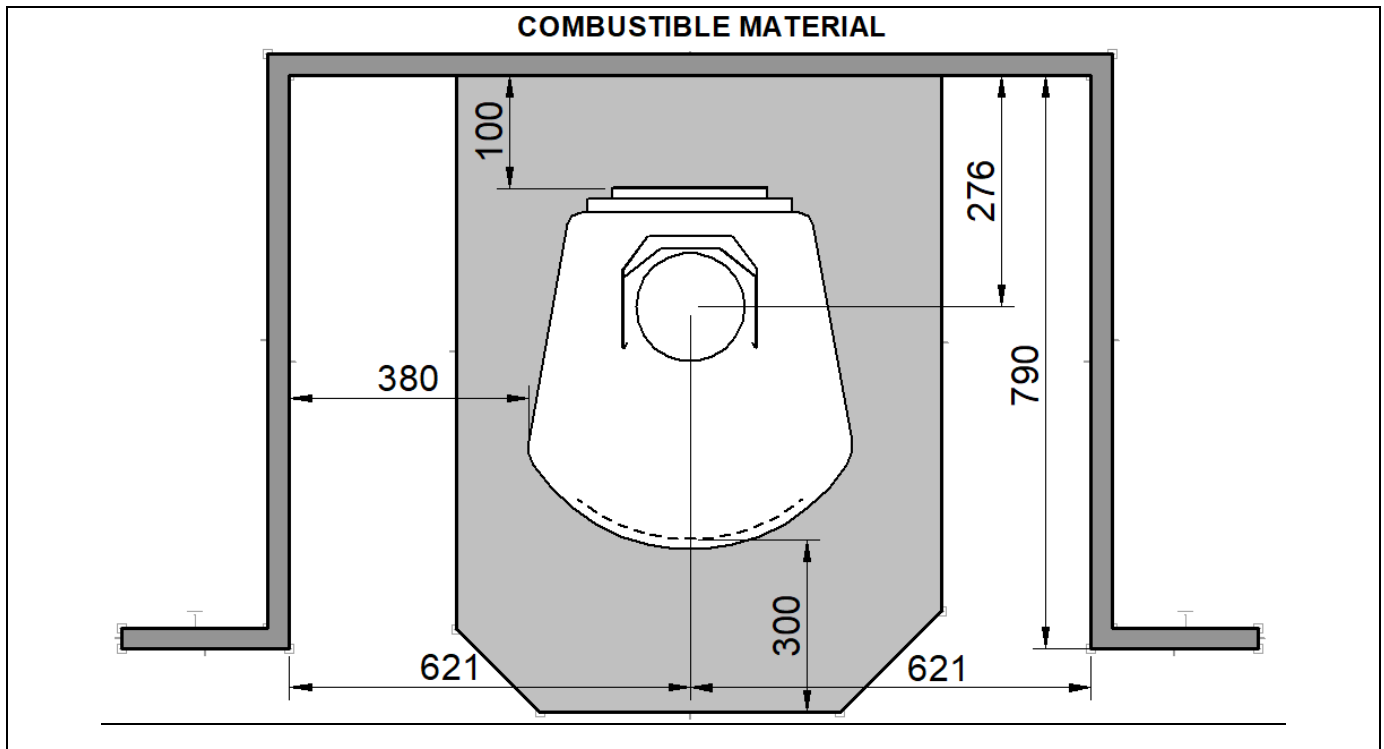
Minimum Clearances to Combustibles: Parallel, Corner & Alcove configurations.

Parallel Installation		Corner Installation	
			
A- Rear Panel to Rear Wall	85 mm	C- Glass to Floor Protector Front	300 mm
B-Cooktop Edge to Side Wall	350 mm	E- Cooktop Corner to Wall	180 mm
C- Glass to Floor Protector Front	300 mm	H- Flue Centre to Wall	400 mm
D- Floor Protector Side	117 mm	L- Floor Protector Diagonal	1225 mm
F- Flue Centre to Rear Wall	261 mm	M- Floor Protector Side	1025 mm
G- Flue Centre to Side Wall	591 mm	N- Flue Centre to Floor Protector Front	659 mm
I- Floor Protector Front Edge	415 mm	R- Flue Centre to Wall Corner	566 mm
J- Floor Protector Width	715 mm	WW- Overall Width of Fire	481 mm
K- Floor Protector Depth	920 mm	DD- Overall Depth of Fire	536 mm
		HH- Overall Height of Fire	1025 mm

Seismic Restraint - Rakaia shall be seismically restrained, including floor protector. Use 8mm Dynabolts for concrete floors or 8mm coach screws for wooden floors, of appropriate lengths.

Akaroa & Akaroa Wood Stacker Installation in Alcove situation

Akaroa burner models have been tested for alcove (recess) made of combustible material and comply as per safety standard AS/NZS 2918:2001



Note –

- The side/rear clearances and the ceiling plate sizes are different for alcove installation than a standard installation.
- The ceiling plate must be a minimum of 500x500mm
- The Ceiling height must be a minimum of 2400mm