

## Masport AKAROA MKII ULEB–Technical Specifications – ASH & WOOD STACKER

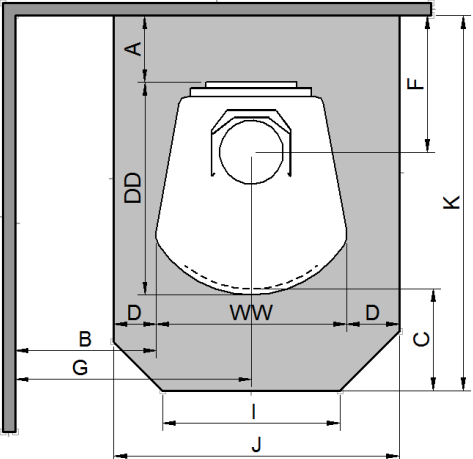
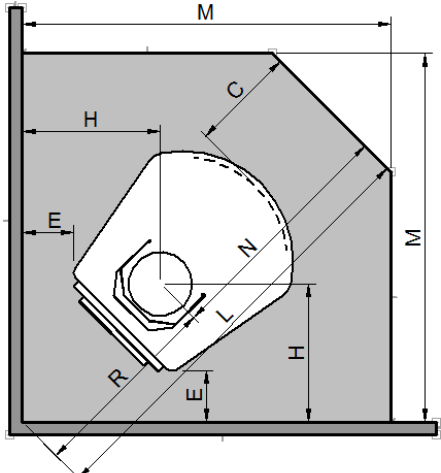
Approx. Heating Capacity	Small to Medium Homes (2-3 Bedrooms)
--------------------------	--------------------------------------

**AKAROA MKII burner model has been tested and complies with the following standards & tests:**  
**Environment Canterbury’s Real-life test - Canterbury test method CM1**  
**NZ National Environmental Test Standards - AS/NZS 4012:2014 and AS/NZS 4013:2014.**  
**NZ National Environmental Safety Test Standard - AS/NZS 2918:2018 (2001)**

<b>Overall Dimensions</b>	482mm Wide x 537mm Deep x 1039mm High				
<b>Net Weight of the Burner</b>	120 kg				
<b>Test Method</b>	<b>Average Max Heat Output</b>	<b>Emissions mg/MJ</b>	<b>Emissions g/kg</b>	<b>Efficiency %</b>	<b>Authorisation No</b>
<b>Real-Life Test Canterbury Method V1.6 (ULEB)</b>		31mg/MJ	-	-	CRC 242080 - Ash CRC 242078 - Wood Stacker
<b>National Environment Standard AS/NZS 4012/13:2014</b>	9kW	-	0.47g/kg	67%	CRC 242081 - Ash CRC 242079 - Wood Stacker

<b>Flue Shield</b>	600mm Long Masport SS Double Flue Shield
<b>Flue System</b>	Std 4.2M Long, 150mm Masport Flue System or Flue System that has been tested to and comply with AS/NZS 2918:2001 Appendix F ** For installation in Canterbury & South of Canterbury, we recommend extending 200 outer casings within 250~300 from flue termination. Also, we recommend not to use Masport Opti or equivalent flue kits in this area, as they take ceiling or external cold air and cool the flue casings, leading to accelerated creosote build-up in the main flue pipe.
<b>Floor Protector Requirement</b>	Ash Floor Protector
<b>Suitable Masport Steel Floor Protectors</b>	Parallel - 998908 & 998901 Corner - 998904

### Minimum Clearances to Combustibles and Floor Protector Dimensions: Parallel, Corner and Alcove configurations with a Minimum of 2.4m ceiling height

Parallel Installation	Corner Installation																																				
<table border="1"> <tr><td>A</td><td>93</td></tr> <tr><td>B</td><td>344</td></tr> <tr><td>C</td><td>300</td></tr> <tr><td>D</td><td>144</td></tr> <tr><td>F</td><td>271</td></tr> <tr><td>G</td><td>584</td></tr> <tr><td>I</td><td>470</td></tr> <tr><td>J</td><td>770</td></tr> <tr><td>K</td><td>920</td></tr> <tr><td>WW</td><td>482</td></tr> <tr><td>DD</td><td>537</td></tr> </table>  <p>C - Measurement taken from glass</p>	A	93	B	344	C	300	D	144	F	271	G	584	I	470	J	770	K	920	WW	482	DD	537	<table border="1"> <tr><td>C</td><td>300</td></tr> <tr><td>E</td><td>287</td></tr> <tr><td>H</td><td>507</td></tr> <tr><td>L</td><td>1390</td></tr> <tr><td>M</td><td>1180</td></tr> <tr><td>N</td><td>673</td></tr> <tr><td>R</td><td>717</td></tr> </table>  <p>C - Measurement taken from glass</p>	C	300	E	287	H	507	L	1390	M	1180	N	673	R	717
A	93																																				
B	344																																				
C	300																																				
D	144																																				
F	271																																				
G	584																																				
I	470																																				
J	770																																				
K	920																																				
WW	482																																				
DD	537																																				
C	300																																				
E	287																																				
H	507																																				
L	1390																																				
M	1180																																				
N	673																																				
R	717																																				
<b>Seismic Restraint</b> - In New Zealand, it is required that the wood burner and floor protector are secured to prevent																																					

shifting in the event of an earthquake. This is best done by fastening the wood burner right through the protector to the floor, using 8mm DynaBolts or 8mm coach screws or equivalent toggle fasteners for wooden floors of appropriate lengths. Seismic holes are at the rear of the burner.

### 5.1 Installation in Alcove/Recess situation

The AKAROA MKII Burner Models have been tested for Alcove (recess) made of combustible material and complied with the safety standards AS/NZS 2918:2018 (2001)

ALCOVE / RECESS WITH  
COMBUSTIBLE MATERIAL WALLS

C - Measurement taken from glass

**Note –**

- Refer to the Parallel Installation table on Page 1 for dimensions.
- The Ceiling height must be a minimum of 2400mm

A	93
B	390
C	300
F	271
G	631

**NOTE:** Any variation to the specified clearances must be done in accordance with AS/NZ 2918 Section 3