

## Masport KAITUNA ULEB-Technical Specifications - All Variants

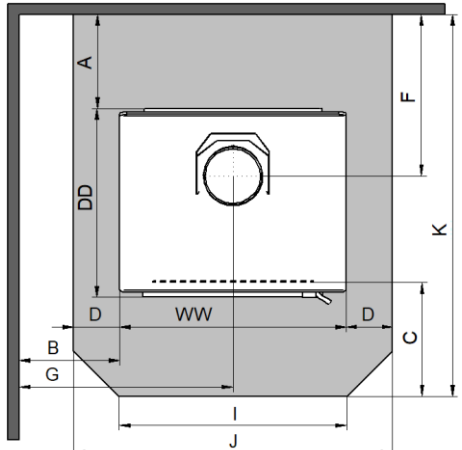
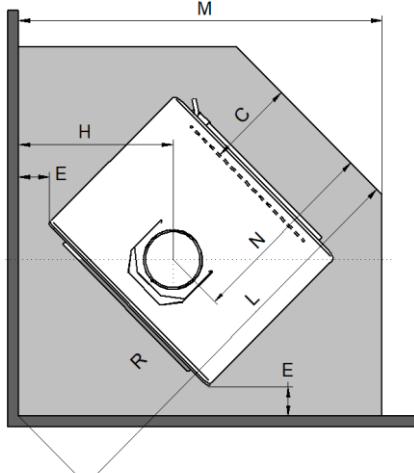
<b>Approx. Heating Capacity</b>	<b>Small to Medium Homes (2-3 Bedrooms)</b>
---------------------------------	---

**KAITUNA burner model has been tested and complies with the following standards & tests:**  
**Environment Canterbury's Real-life test** - Canterbury test method CM1  
**NZ National Environmental Test Standards** - AS/NZS 4012:2014 and AS/NZS 4013:2014.  
**NZ National Environmental Safety Test Standard** - AS/NZS 2918:2018

<b>Overall Dimensions</b>	623mm Wide x 540mm Deep x 714mm High				
<b>Net Weight of the Burner</b>	130 kg				
Test Method	Average Max Heat Output	Emissions mg/MJ	Emissions g/kg	Efficiency %	Authorisation No
<b>Real-Life Test Canterbury Method V1.6 (ULEB)</b>		33mg/MJ	-	-	CRC 234633 - Pedestal CRC 234634 - Leg CRC 234635 - Ash CRC 234636 - Wood Stacker
<b>National Environment Standard AS/NZS 4012/13:2014</b>	9kW	-	0.56g/kg	65%	CRC 234629 - Pedestal CRC 234630 - Leg CRC 234631 - Ash CRC 234632 - Wood Stacker

<b>Flue Shield</b>	900mm Long Masport SS Double Flue Shield
<b>Flue System</b>	Std 4.2M Long, 150mm Masport Flue System or Flue System that has been tested to and comply with AS/NZS 2918:2018 Appendix F ** For installation in Canterbury & South of Canterbury, we recommend extending 200 outer casings within 250~300 from flue termination. Also, we recommend not to use Masport Opti or equivalent flue kits in this area, as they take ceiling or external cold air and cool the flue casings, leading to accelerated creosote build-up in the main flue pipe.
<b>Floor Protector Requirement</b>	Ash Floor Protector
<b>Suitable Masport Steel Floor Protectors</b>	Parallel - 998901 Corner - 998904 OR 998909

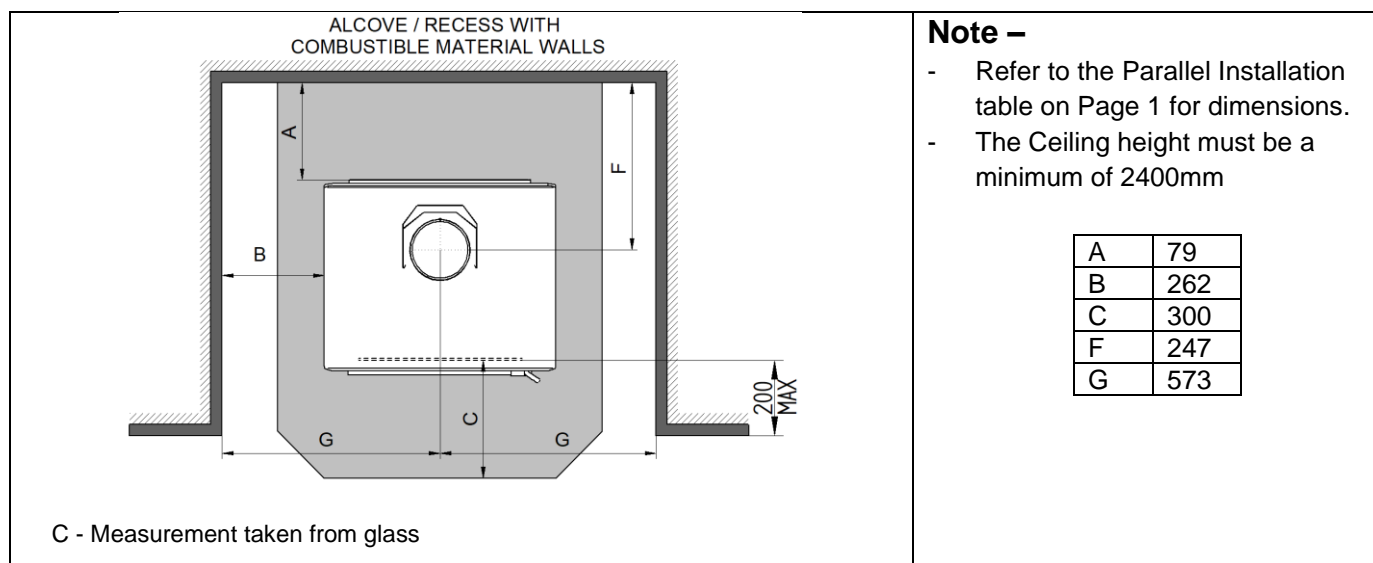
### Minimum Clearances to Combustibles and Floor Protector Dimensions: Parallel, Corner and Alcove configurations with a Minimum of 2.4m ceiling height

Parallel Installation	Corner Installation																																				
<table border="1" style="width: 100%; border-collapse: collapse; margin-bottom: 10px;"> <tr><td>A</td><td>79</td></tr> <tr><td>B</td><td>262</td></tr> <tr><td>C</td><td>300</td></tr> <tr><td>D</td><td>100</td></tr> <tr><td>F</td><td>247</td></tr> <tr><td>G</td><td>573</td></tr> <tr><td>I</td><td>522</td></tr> <tr><td>J</td><td>823</td></tr> <tr><td>K</td><td>862</td></tr> <tr><td>WW</td><td>623</td></tr> <tr><td>DD</td><td>540</td></tr> </table>  <p style="text-align: center;">C - Measurement taken from glass</p>	A	79	B	262	C	300	D	100	F	247	G	573	I	522	J	823	K	862	WW	623	DD	540	<table border="1" style="width: 100%; border-collapse: collapse; margin-bottom: 10px;"> <tr><td>C</td><td>300</td></tr> <tr><td>E</td><td>87.5</td></tr> <tr><td>H</td><td>415</td></tr> <tr><td>L</td><td>1201</td></tr> <tr><td>M</td><td>1033</td></tr> <tr><td>N</td><td>614</td></tr> <tr><td>R</td><td>587</td></tr> </table>  <p style="text-align: center;">C - Measurement taken from glass</p>	C	300	E	87.5	H	415	L	1201	M	1033	N	614	R	587
A	79																																				
B	262																																				
C	300																																				
D	100																																				
F	247																																				
G	573																																				
I	522																																				
J	823																																				
K	862																																				
WW	623																																				
DD	540																																				
C	300																																				
E	87.5																																				
H	415																																				
L	1201																																				
M	1033																																				
N	614																																				
R	587																																				

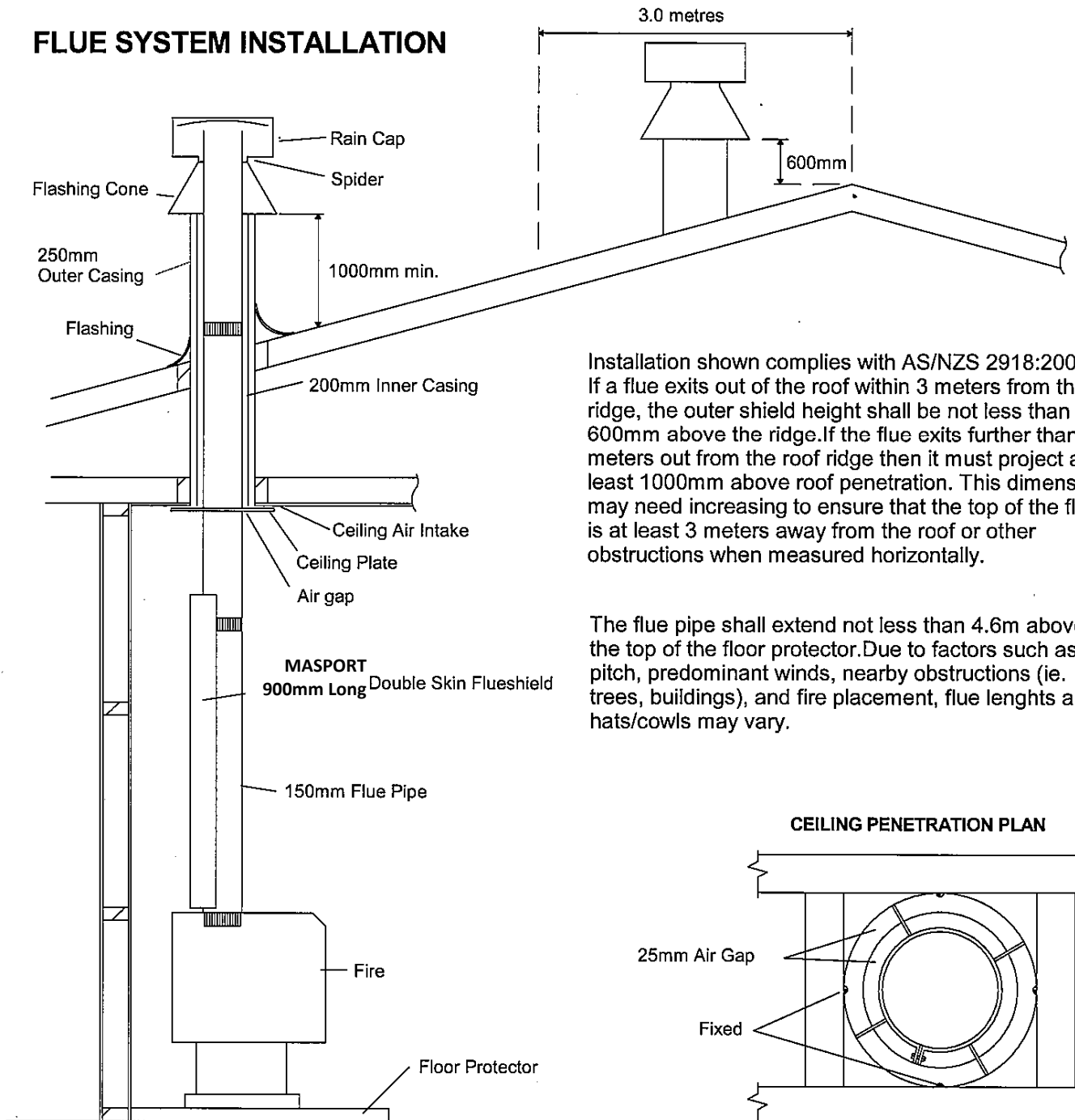
**Seismic Restraint** - In New Zealand, it is required that the wood burner and floor protector are secured to prevent shifting in the event of an earthquake. This is best done by fastening the wood burner right through the protector to the floor, using 8mm DynaBolts or 8mm coach screws or equivalent toggle fasteners for wooden floors of appropriate lengths. Seismic holes are at the rear of the burner.

## Installation in Alcove/Recess situation

The KAITUNA Burner Models have been tested for Alcove (recess) made of combustible material and complied with the safety standards AS/NZS 2918:2018



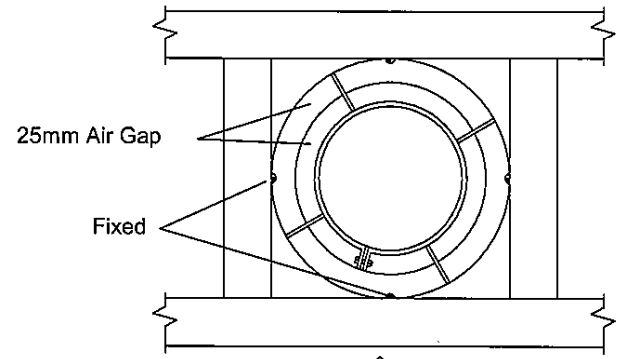
# FLUE SYSTEM INSTALLATION



Installation shown complies with AS/NZS 2918:2001. If a flue exits out of the roof within 3 metres from the ridge, the outer shield height shall be not less than 600mm above the ridge. If the flue exits further than 3 metres out from the roof ridge then it must project at least 1000mm above roof penetration. This dimension may need increasing to ensure that the top of the flue is at least 3 metres away from the roof or other obstructions when measured horizontally.

The flue pipe shall extend not less than 4.6m above the top of the floor protector. Due to factors such as roof pitch, predominant winds, nearby obstructions (ie. trees, buildings), and fire placement, flue lengths and hats/cowls may vary.

## CEILING PENETRATION PLAN



Above plan is valid only for flue manufactured by Glen Dimplex New Zealand Ltd

For other products, use specific flue installation specifications supplied by the manufacturer.

FLUE SYSTEM INSTALLATION 150mm